

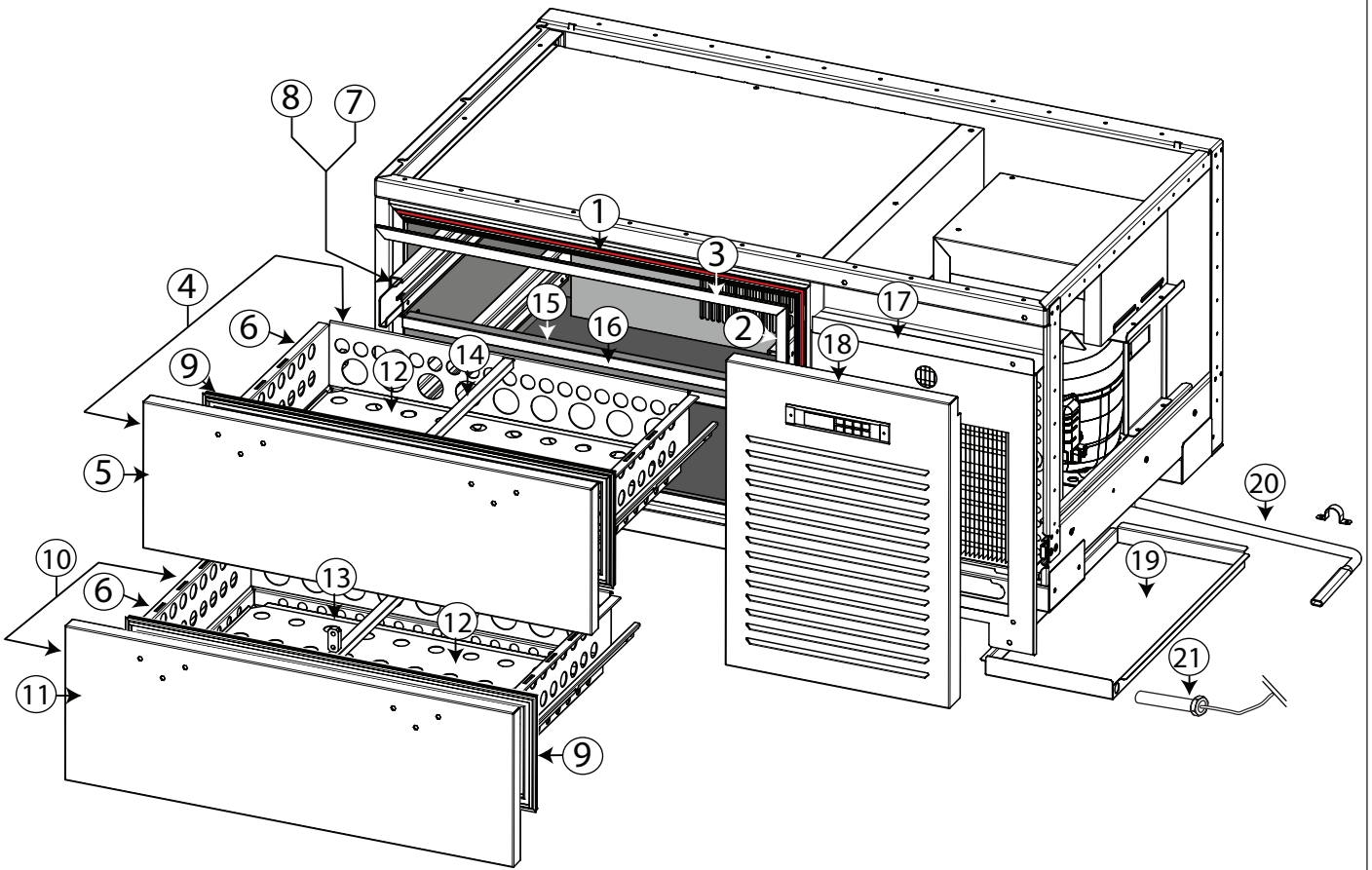
**THERMALINE 80/85/90****EN REFRIGERATED BASE 1200**

<b>PNC</b>	<b>Factory Model</b>	<b>Ref.</b>	<b>Description</b>	
588250	737015	MA6BDAKOBO	a	REF. BASE 2/DRAWERS, 1200X800MM
589345	737017	MC6BDAKOBO	b	REF. BASE 2/DRAWERS, 1200X900MM
588478	737021	MA6BDAKOLO	c	REF. BASE 2/DRAWERS, 1200X800MM - USA
589716	737022	MC6BDAKOLO	d	REF. BASE 2/DRAWERS, 1200X900MM - USA
588591	737024	MB6BDAKOBO	b	REF. BASE 2/DRAWERS, 1200X850MM
<b>588481</b>	737030	<b>MA6FDAKOBO</b>	<b>e</b>	<b>REF. BASE 2/DRAWERS, 1200X800MM - R452A</b>
<b>589678</b>	737032	<b>MC6FDAKOBO</b>	<b>f</b>	<b>REF. BASE 2/DRAWERS, 1200X900MM - R452A</b>
<b>588717</b>	737035	<b>MB6FDAKOBO</b>	<b>g</b>	<b>REF. BASE 2/DRAWERS, 1200X850MM - R452A</b>

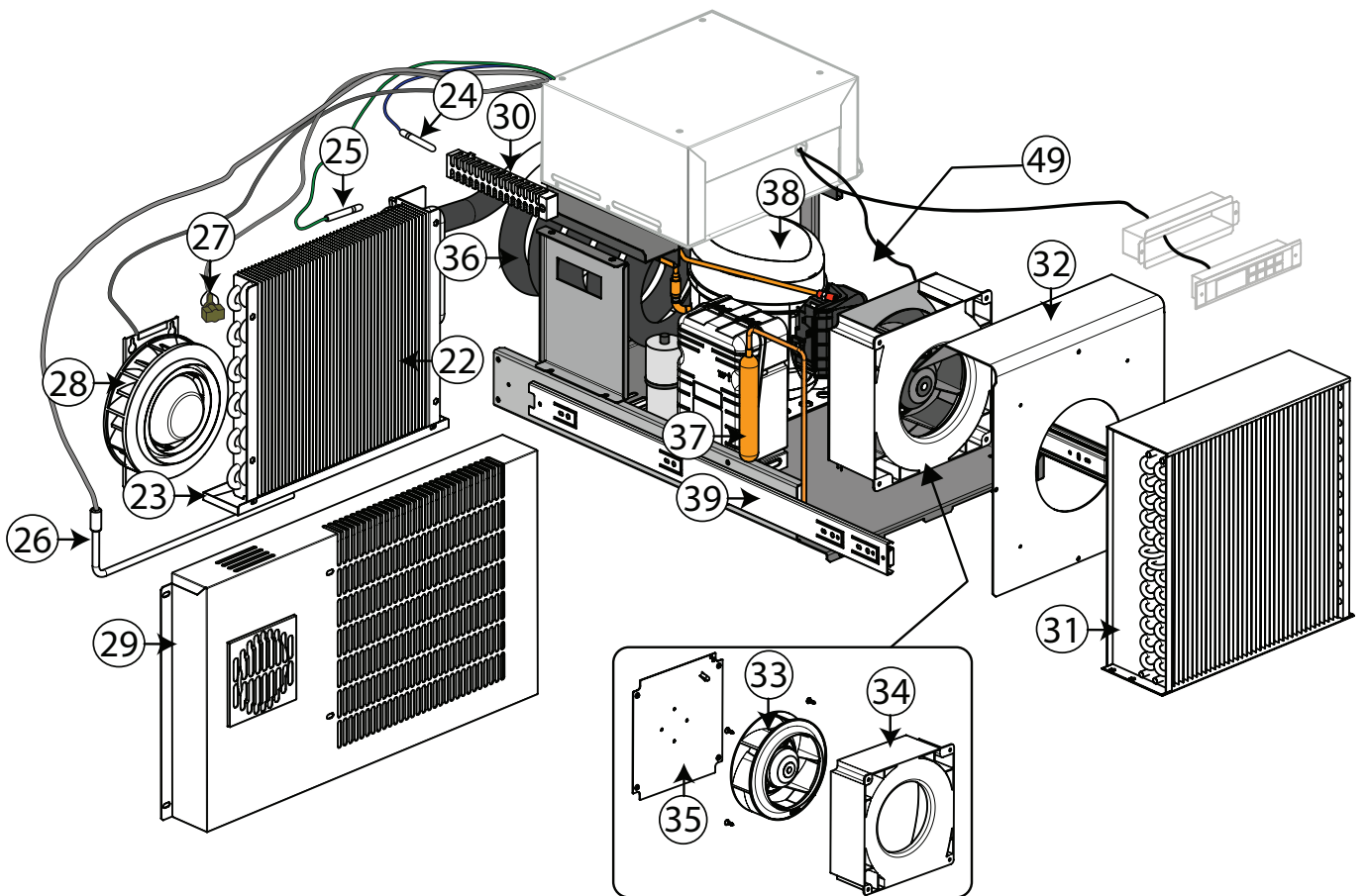
<b>Page</b>	<b>Index</b>	<b>Last Updates</b>	<b>Page</b>	<b>Pos.</b>
2	External body	29/07/2013	all	
3	Cooling Unit	11/11/2016	all	
4	Command panel	06/2018	5	
5	Spare part list	04/2019	5	25
		10/2019	5-6	

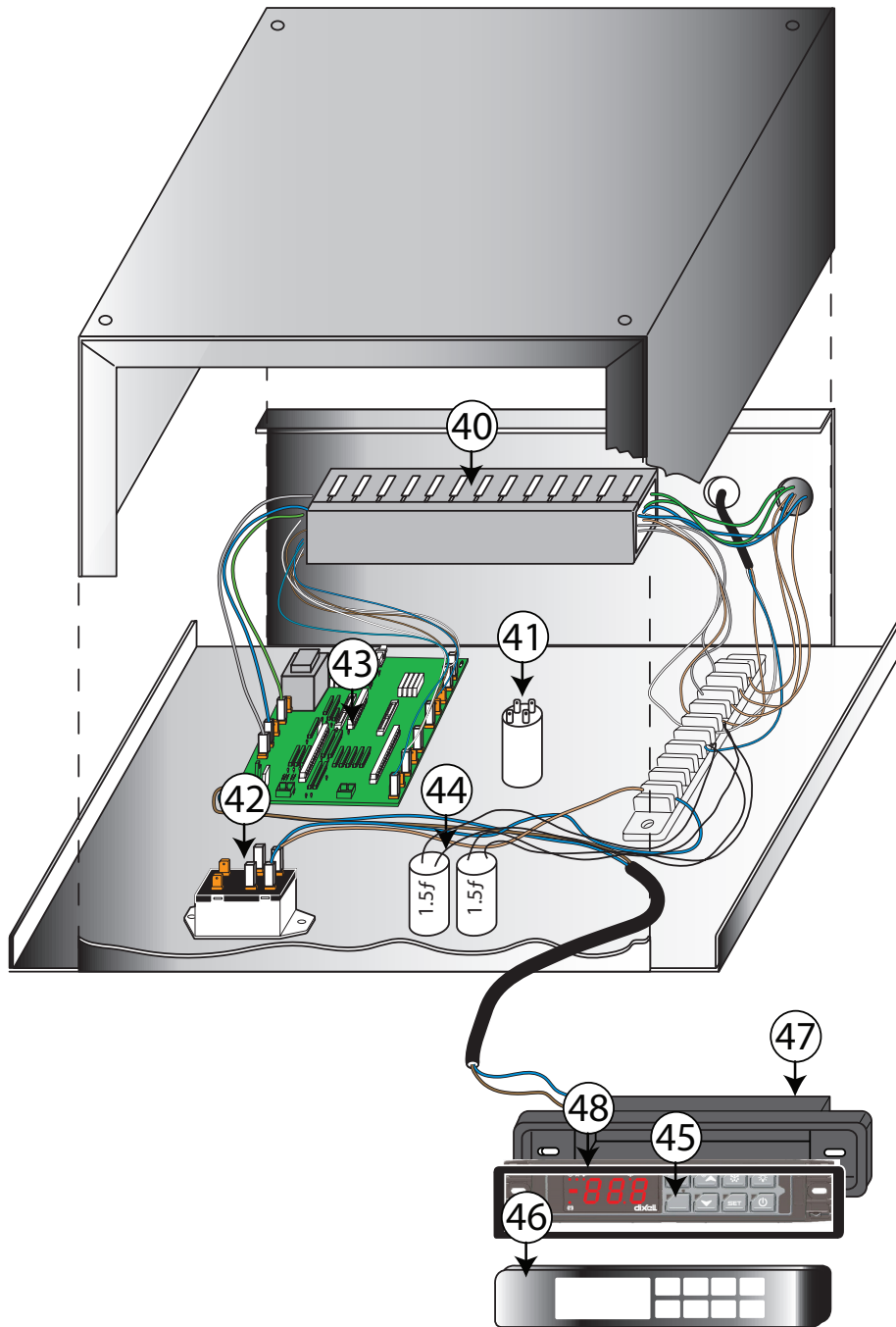
Valid from Ser. № 331100....

External body



# Cooling unit





Pos.	Code	Factory code	Descrizione	Description	Bezeichnung	Ref./Notes
1	093926	617R09100	Cavo riscaldante	Hot frame cable	Heizleitung	a,b,e,f,g
1	094629	617R12300	Cavo riscaldante	Hot frame cable	Heizleitung USA	c,d
2	092608	500R01901	Riscontro verticale	Vertical frame	Vertikaler Rahmen	
3	092610	500R01801	Riscontro orizzontale	Horizontal	Horizontaler Rahmen	
4		835R36103	Ass.Cassetto alto	Upper Drawer	Obere Schublade	
5		875R25603	Frontale cassetto alto	Front upper drawer	Frontblende obere Schublade	
6	094021	833R20301	Ass. involucro cassetto	Case drawer	Seiteneinsatz für Schublade	
7	092612	835R13000	Ass. guida DX	Right support for drawer	Rechte Führungsschiene	
8	092613	835R13100	Ass. guida SX	Left support for drawer	Linke Führungsschiene	
9	092614	548R02302	Guarnizione cassetto	Drawer gasket	Dichtung Schublade	
10		835R36203	Ass.Cassetto basso	Lower Drawer	Untere Schublade	
11		875R25702	Frontale cassetto basso	Front lower drawer	Frontblende untere Schublade	
12	092620	501R16000	Fondo Removibile	Bottom drawer	Bodeneinsatz für Schublade	
13	092618	546R07900	Blocchetto per divisorio	Spacer for support	Abstandshalter	
14	092619	500R78100	Divisorio cassetto	Spacer drawer	Schubladenstütze	
15	094024	547R04001	Traversa	Half support	Traverse	
16	094025	500R77602	Riscontro per traversa	Frame for half support	Rahmen für Verstärkung mittig	
17		509R17603	Copertura condensatore	Condenser cover	Kondensatorblende	
18	094464	509R17501	Pannello frontale	Frontal panel	Frontblende Kondensator	Up to 4451
18	094465	509R17502	Pannello frontale	Frontal panel	Frontblende Kondensator	From 4461 Up to 6351
18	095418	509R17503	Pannello frontale	Frontal panel	Frontblende Kondensator	From 6361 Up to 7431
18		509R17504	Pannello frontale	Frontal panel	Frontblende Kondensator	From 7441.
19		501R95101	Bacinella evaporazione	Evaporation basin	Verdunstungsbehälter	
20	093924	544R03600	Tubo per scarico condensa	Water discharge pipe	Wassertauschrohr	
21	092950	617R05200	PTC 230V	PTC 230V	PTC 230V	a,b,e,f,g
21	099935	617R05100	PTC 120V	PTC120V	PTC 120V	c,d
22	092637	830R02202	Evaporatore 2R 12T	Evaporator 2R 12T	Verdampfer 2R 12T	
23	092638	500R56101	Ass. Bacinella evaporatore	Evaporator basin	Verdamperbecken	
24	092175	646R06900	Sonda cella "blu"	Cavity probe	Fühler blau	
25	092183	646R07800	Sonda evaporatore verde	Evaporator probe	Fühler grün	Up to 7421
25	096125	646R07701	Sonda evaporatore verde	Evaporator probe	Fühler grün	From 7431
26	093925	617R09000	Resistenza di sbrinamento 250W	Heating Elem. for defrost 250W	Heizelement zum Auftauen 250W	a,b,e,f,g
26	094628	617R12200	Resistenza di sbrinamento 250W - 60 Hz	Heating Elem. for defrost 250W - 60 Hz	Heizelement zum Auftauen 250W/60hz	c,d
27	0A9671	648718900	Termostato di sicurezza +40/+30	Safety thermostat +40/ +30	Sicherheitsthermostat +40/ +30	a,b,e,f,g
27	090105	648729100	Termostato ELTH +40/+30 UL-USA	Safety thermostat ELTH +40/ +30 UL-USA	Sicherheitsthermostat ELTH +40/ +30 UL-USA	c,d
28	093928	856R21300	Ventilatore 230/50/60HZ	Evaporator fan 230/50/60HZ	Verdunst-Ventilator 230/50/60HZ	a,b,e,f,g
28	094630	856R25100	Ventilatore 115/60HZ	Evaporator fan 115/60HZ	Verdunst-Ventilator 115/60 V/HZ	c,d
29	092889	833R20701	Convogliatore int. cella	Evaporator Carter	Abdeckung d. Verdunstungsein.	
30	092642	501R15100	Protezione sonda	Probe protection	Sondenschutz (Fühlerschutz)	
31	092649	830R02302	Condensatore 2R	Condensator	Kondensator 2R	
32	094029	505R16101	Adattatore ventilatore	Fan adaptor	Lüfteraufsatz	Up to 4451
32	094463	505R16103	Adattatore ventilatore	Fan adaptor	Lüfteraufsatz	From 4461..
33	094030	682F00100	Ventilatore gruppo condensatore	Condensator fan	Lüfter Kondensatoreinheit	
34	094031	504F00B01	Custodia ventilatore	Protection Fan	Schutzabdeckung für Lüfter	
35	095166	504F00C01	Supporto ventilatore + minute-rie	Fan Support + screws	Lüfter-Unterstützung + Schrauben	
36	093929	858R13200	Ass. Scambiatore	Heating exchanger	Wärmetauscher	Up to 3471...
36	094174	858R13201	Ass. Scambiatore	Heating exchanger	Wärmetauscher	From 3481... up to 4451
36	094467	858R13203	Ass. Scambiatore	Heating exchanger	Wärmetauscher	From 4461...
37	084078	805729802	Filtro deidratore 40 gr	Dehidrator filter 40 gr	Entwässerungsfilter 40 gr	a,b,e,f,g
37	083854	805731202	Filtro deidratore 40 gr	Dehidrator filter 40 gr	Entwässerungsfilter 40 gr	c,d
38	0T6191	684R04200	Compressore CAE9470 R404A	Compressor CAE9470 R404A	Kompressor CAE9470 R404A	
38	094462	684R10000	Compressore TECUMSH 220-240/50HZ	Compressor TECUMSH 220-240/50HZ	Kompressor TECUMSH 220-240/50HZ	a,b

Pos.	Code	Factory code	Descrizione	Description	Bezeichnung	Ref./Notes
38	094466	684R10300	Compressore TECUMSH 110-115/60HZ	Compressor TECUMSH 110-115/60HZ	Kompressor TECUMSH 110-115/60HZ	c,d
<b>38</b>	<b>096469</b>	<b>684R02C00</b>	<b>Compressore EMBRACO NEU-6215GK</b>	<b>Compressor EMBRACO NEU-6215GK</b>	<b>Kompressor EMBRACO NEU-6215GK</b>	<b>e,f,g</b>
39	093927	835R35900	Guida telescopica	Telescopic support	Teleskop-Befestigung	
40	092658	639R07800	Canalina 40x40	Cover cable	Kabelkanal 40 x 40	
41	093636	694R00700	Filtro antidisturbo	Electrical filter	Elektronischer Entstörfilter	a,b,e,f,g
42	088267	648722900	Relè Omron 2A coil 200-240V	Relay	Relais 2A coil 200-240V	a,b
42		648723800	Relè Omron 2A coil 100-120V	Relay 100-120V	Relais 2A coil 100-120V	c,d
<b>42</b>	<b>093848</b>	<b>648R06300</b>	<b>Relè Finder 66.82.8.230.0001</b>	<b>Relay Finder 66.82.8.230.0001</b>	<b>Relais Finder 66.82.8.230.0001</b>	<b>e,f,g</b>
43	092960	646R09603	Scheda xw260K 230V	Main board xw260k	Hauptplatine xw260K 230V	a,b,e,f,g
43	092659	646R09502	Scheda xw260K 115V UL	Main board xw260K 115V UL	Hauptplatine xw260K 115V UL	c,d
44	091435	648R02400	Condensatore 1.5 400V	Capacitor 1.5 400 V	Kondensator 1.5 µF 400V	a,b,e,f,g
<b>44</b>	<b>094497</b>	<b>648F00100</b>	<b>Condensatore 1.5 400V</b>	<b>Capacitor 1.5 400 V</b>	<b>Kondensator 1.5 µF 400V</b>	<b>e,f,g</b>
44	090089	648729500	Condensatore 5MF	Capacitor 1.5 400 V	Kondensator 5MF UL-CSA	c,d
<b>45</b>	<b>094000</b>	<b>646R09700</b>	<b>Scheda interfaccia</b>	<b>User board</b>	<b>Bedienblende</b>	
46	092958	530R04200	Cornice in acciaio termoregolatore	Termoregulator frame	Frontabdeckung der Bedienblende	
47	092948	501R24500	Copertura termoregolatore	User board cover	Befestigung für Bedienblende	
48	092661	546R12600	Guarnizione termoregolatore	Termoregulator gasket	Schutzabdeckung f. Bedienblende	
<b>49</b>		<b>877R65407</b>	<b>Ass. gruppo 1200 Gottardo</b>	<b>Ass. cooling unit 1200 Gottardo</b>	<b>Kühleinheit thermaline 1200</b>	<b>a,b,e,f,g</b>
<b>49</b>		<b>877R74802</b>	<b>Ass. gruppo 1200 Gottardo USA (senza evaporatore)</b>	<b>Ass. cooling unit 1200 Gottardo USA (without evaporator)</b>	<b>Kühleinheit thermaline 1200 USA</b>	<b>c,d</b>
*	085088	646728600	Pressostato G63 P3141	Pressure switch G63 P3141	Druckschalter G63 P3141	c,d
*	099869	646765300	Tappo fusibile UL 1/8'	Fuse holder cap UL 1/8'	Sicherungshalter UL 1/8'	c,d